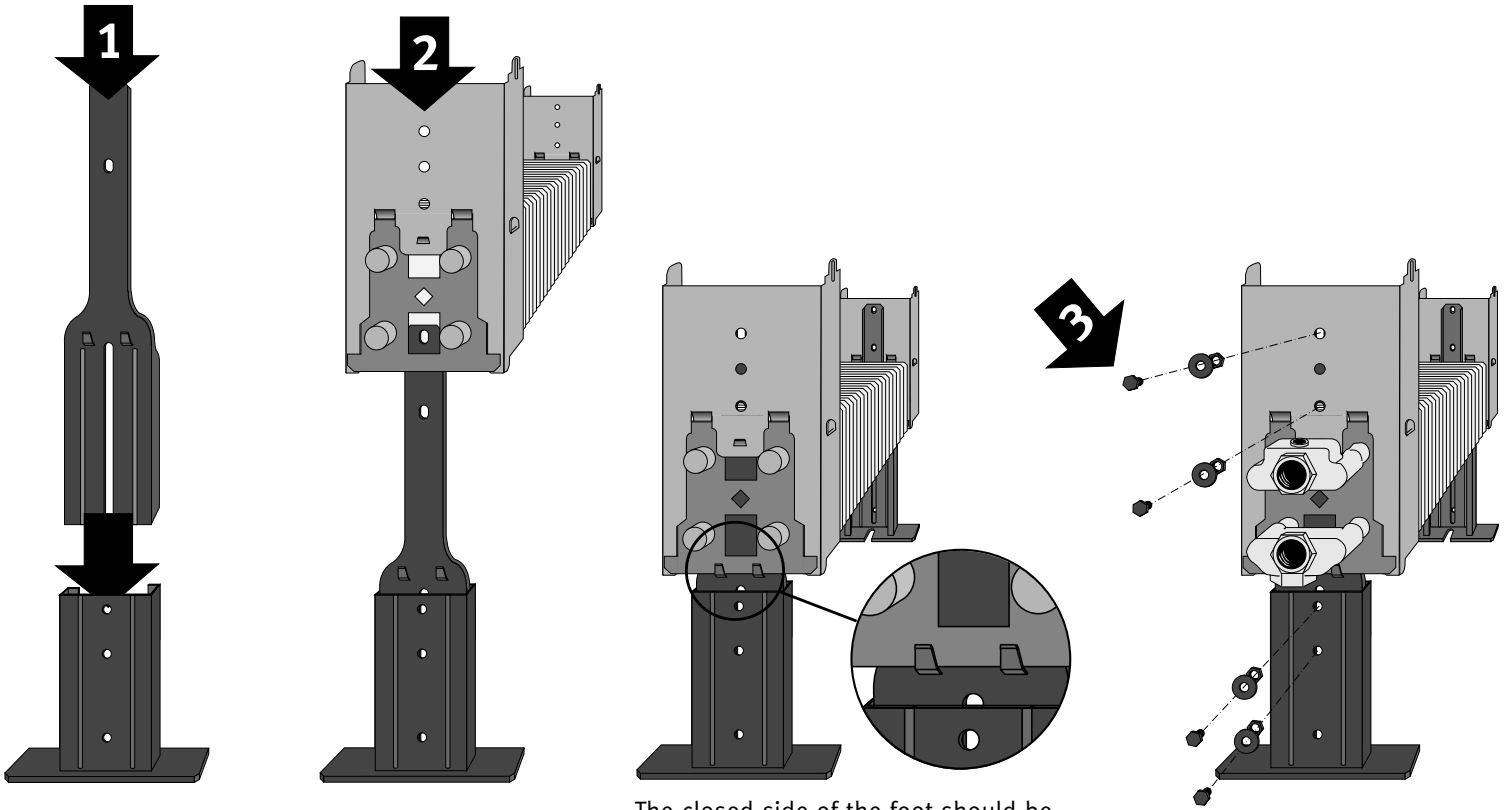




TEMPO Freestanding

Energy
SAVERS
LOW-H₂O

Mounting instructions



The closed side of the foot should be turned outward while assembling.