



jaga



# TEMPO FREESTANDING

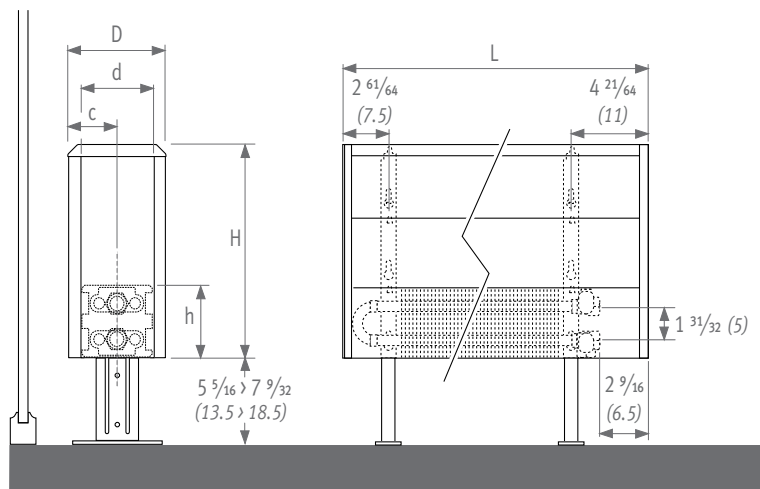
Dimensions & heat output

AUDI MEMBER EN 442

LOW H<sub>2</sub>O

WARRANTY 30 YEAR FINNBERG

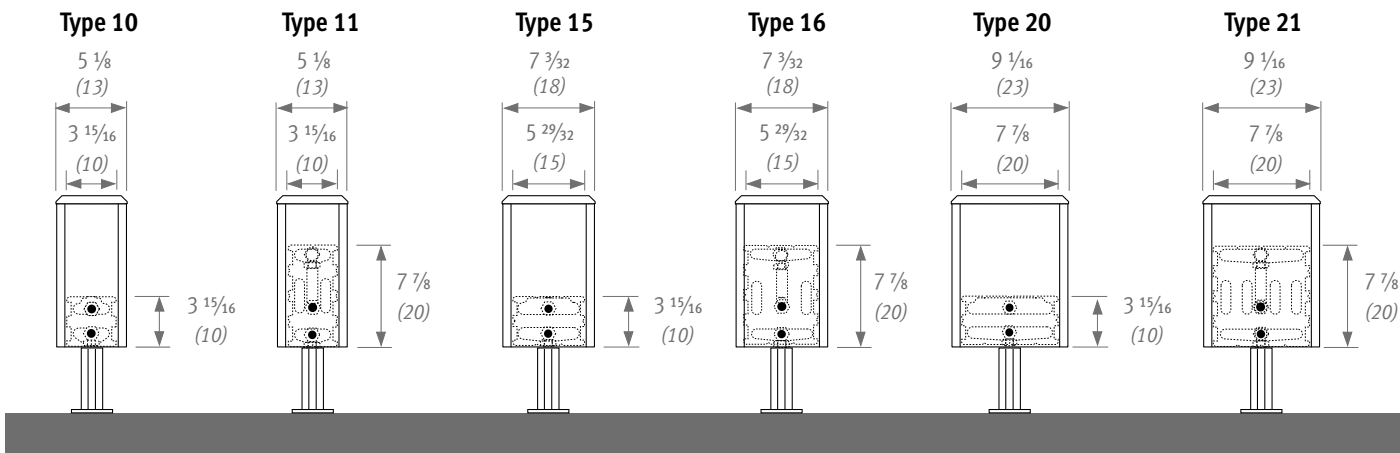
## DIMENSIONS



\* Smaller dimensions can decrease output.


Type	d	h	D	c
10	3 15/16 (10)	3 15/16 (10)	5 1/8 (13)	2 43/64 (6.8)
15	5 29/32 (15)	3 15/16 (10)	7 3/32 (18)	3 21/32 (9.3)
20	7 7/8 (20)	3 15/16 (10)	9 1/16 (23)	4 41/64 (11.8)

Type	d	h	D	c
11	3 15/16 (10)	7 7/8 (20)	5 1/8 (13)	2 43/64 (6.8)
16	5 29/32 (15)	7 7/8 (20)	7 3/32 (18)	3 21/32 (9.3)
21	7 7/8 (20)	7 7/8 (20)	9 1/16 (23)	4 41/64 (11.8)



Note: dimensions in “()” are shown in centimeters.

The information in this technical brochure is correct at the time of printing. Jaga reserves the right to change product specification at any time in line with our policy of continuous improvement and innovation.

 The dimensions shown in the tables have been rounded off to 0.5".  
Dimensions in cm are exact. (1 cm = 0.394")

## TEMPO FREESTANDING TYPE 10

ORDER CODE: **TEMP.** **020** **040** **10.** **101** **/00**

mean T °F (°C)	L H	code height length type color conn.																	
		15.5" (040)	19.5" (050)	23.5" (060)	27.5" (070)	31.5" (080)	35.5" (090)	39.5" (100)	43.5" (110)	47" (120)	55" (140)	63" (160)	71" (180)	78.5" (200)	86.5" (220)	94.5" (240)	102.5" (260)	110" (280)	118" (300)
170 (76.7)	<b>8"</b>	1110	1390	1666	1946	2221	2501	2777	3056	3332	3887	4443	4998	5554	6109	6665	7220	7775	8331
160 (71.1)	(020)	964	1207	1446	1689	1928	2171	2410	2653	2893	3375	3857	4339	4821	5303	5786	6268	6750	7232
<b>130 (54.4)</b>		<b>564</b>	<b>706</b>	<b>846</b>	<b>988</b>	<b>1128</b>	<b>1270</b>	<b>1410</b>	<b>1552</b>	<b>1692</b>	<b>1974</b>	<b>2256</b>	<b>2538</b>	<b>2820</b>	<b>3102</b>	<b>3384</b>	<b>3666</b>	<b>3948</b>	<b>4230</b>
<b>110 (43.3)</b>		<b>335</b>	<b>420</b>	<b>503</b>	<b>587</b>	<b>671</b>	<b>755</b>	<b>838</b>	<b>923</b>	<b>1006</b>	<b>1174</b>	<b>1342</b>	<b>1509</b>	<b>1677</b>	<b>1845</b>	<b>2013</b>	<b>2180</b>	<b>2348</b>	<b>2516</b>
170 (76.7)	<b>12"</b>	1396	1748	2099	2446	2798	3145	3496	3848	4195	4893	5596	6294	6993	7691	8390	9093	9791	10490
160 (71.1)	(030)	1213	1519	1824	2126	2431	2733	3038	3343	3645	4252	4863	5470	6077	6684	7291	7901	8508	9115
<b>130 (54.4)</b>		<b>712</b>	<b>892</b>	<b>1071</b>	<b>1248</b>	<b>1427</b>	<b>1604</b>	<b>1784</b>	<b>1963</b>	<b>2140</b>	<b>2497</b>	<b>2855</b>	<b>3212</b>	<b>3568</b>	<b>3924</b>	<b>4281</b>	<b>4639</b>	<b>4996</b>	<b>5352</b>
<b>110 (43.3)</b>		<b>425</b>	<b>532</b>	<b>639</b>	<b>745</b>	<b>852</b>	<b>958</b>	<b>1065</b>	<b>1172</b>	<b>1277</b>	<b>1490</b>	<b>1704</b>	<b>1917</b>	<b>2130</b>	<b>2342</b>	<b>2555</b>	<b>2769</b>	<b>2982</b>	<b>3195</b>
170 (76.7)	<b>15.5"</b>	1627	2037	2443	2849	3255	3665	4071	4476	4886	5698	6514	7326	8142	8957	9769	10585	11397	12213
160 (71.1)	(040)	1415	1772	2125	2478	2831	3187	3540	3893	4250	4956	5666	6372	7081	7791	8497	9207	9913	10622
<b>130 (54.4)</b>		<b>834</b>	<b>1044</b>	<b>1252</b>	<b>1460</b>	<b>1668</b>	<b>1878</b>	<b>2086</b>	<b>2294</b>	<b>2504</b>	<b>2920</b>	<b>3338</b>	<b>3754</b>	<b>4172</b>	<b>4590</b>	<b>5006</b>	<b>5424</b>	<b>5840</b>	<b>6258</b>
<b>110 (43.3)</b>		<b>499</b>	<b>625</b>	<b>749</b>	<b>874</b>	<b>999</b>	<b>1124</b>	<b>1249</b>	<b>1374</b>	<b>1499</b>	<b>1749</b>	<b>1999</b>	<b>2248</b>	<b>2499</b>	<b>2749</b>	<b>2998</b>	<b>3249</b>	<b>3498</b>	<b>3748</b>
170 (76.7)	<b>19.5"</b>	1815	2271	2727	3178	3634	4086	4542	4998	5450	6357	7269	8177	9084	9992	10900	11811	12719	13627
160 (71.1)	(050)	1580	1977	2374	2767	3164	3557	3954	4351	4744	5534	6328	7118	7908	8699	9489	10283	11073	11863
<b>130 (54.4)</b>		<b>934</b>	<b>1168</b>	<b>1403</b>	<b>1636</b>	<b>1870</b>	<b>2103</b>	<b>2337</b>	<b>2572</b>	<b>2805</b>	<b>3272</b>	<b>3741</b>	<b>4208</b>	<b>4675</b>	<b>5142</b>	<b>5610</b>	<b>6079</b>	<b>6546</b>	<b>7013</b>
<b>110 (43.3)</b>		<b>561</b>	<b>702</b>	<b>843</b>	<b>983</b>	<b>1124</b>	<b>1263</b>	<b>1404</b>	<b>1545</b>	<b>1685</b>	<b>1966</b>	<b>2248</b>	<b>2529</b>	<b>2809</b>	<b>3090</b>	<b>3371</b>	<b>3653</b>	<b>3933</b>	<b>4214</b>

BTU/hr with 65°F (18.3°C) entering air and 1 GPM flow rate

## TEMPO FREESTANDING TYPE 11

ORDER CODE: **TEMP.** **030** **040** **11.** **101** **/00**

mean T °F (°C)	L H	code height length type color conn.																	
		15.5" (040)	19.5" (050)	23.5" (060)	27.5" (070)	31.5" (080)	35.5" (090)	39.5" (100)	43.5" (110)	47" (120)	55" (140)	63" (160)	71" (180)	78.5" (200)	86.5" (220)	94.5" (240)	102.5" (260)	110" (280)	118" (300)
170 (76.7)	<b>12"</b>	1907	2388	2865	3342	3819	4295	4772	5249	5726	6680	7638	8591	9545	10499	11452	12410	13364	14318
160 (71.1)	(030)	1651	2067	2480	2893	3306	3719	4132	4544	4957	5783	6612	7438	8264	9089	9915	10744	11570	12396
<b>130 (54.4)</b>		<b>956</b>	<b>1197</b>	<b>1436</b>	<b>1675</b>	<b>1914</b>	<b>2153</b>	<b>2392</b>	<b>2631</b>	<b>2870</b>	<b>3348</b>	<b>3828</b>	<b>4306</b>	<b>4784</b>	<b>5263</b>	<b>5741</b>	<b>6221</b>	<b>6699</b>	<b>7177</b>
<b>110 (43.3)</b>		<b>563</b>	<b>705</b>	<b>845</b>	<b>986</b>	<b>1127</b>	<b>1268</b>	<b>1408</b>	<b>1549</b>	<b>1690</b>	<b>1971</b>	<b>2254</b>	<b>2536</b>	<b>2817</b>	<b>3099</b>	<b>3380</b>	<b>3663</b>	<b>3945</b>	<b>4226</b>
170 (76.7)	<b>15.5"</b>	2153	2690	3226	3767	4303	4844	5380	5917	6457	7534	8607	9684	10761	11838	12915	13988	15065	16142
160 (71.1)	(040)	1865	2329	2793	3262	3726	4194	4658	5123	5591	6524	7452	8385	9317	10250	11183	12111	13044	13976
<b>130 (54.4)</b>		<b>1080</b>	<b>1349</b>	<b>1618</b>	<b>1889</b>	<b>2158</b>	<b>2429</b>	<b>2698</b>	<b>2967</b>	<b>3238</b>	<b>3778</b>	<b>4316</b>	<b>4856</b>	<b>5397</b>	<b>5937</b>	<b>6477</b>	<b>7015</b>	<b>7555</b>	<b>8095</b>
<b>110 (43.3)</b>		<b>636</b>	<b>794</b>	<b>953</b>	<b>1113</b>	<b>1271</b>	<b>1431</b>	<b>1589</b>	<b>1748</b>	<b>1907</b>	<b>2226</b>	<b>2543</b>	<b>2861</b>	<b>3179</b>	<b>3497</b>	<b>3815</b>	<b>4132</b>	<b>4450</b>	<b>4769</b>
170 (76.7)	<b>19.5"</b>	2357	2949	3541	4128	4720	5307	5899	6490	7078	8257	9440	10619	11798	12977	14156	15339	16518	17697
160 (71.1)	(050)	2041	2554	3066	3575	4087	4596	5108	5620	6129	7150	8174	9195	10216	11237	12258	13283	14304	15325
<b>130 (54.4)</b>		<b>1183</b>	<b>1479</b>	<b>1776</b>	<b>2071</b>	<b>2368</b>	<b>2663</b>	<b>2959</b>	<b>3256</b>	<b>3551</b>	<b>4143</b>	<b>4736</b>	<b>5328</b>	<b>5919</b>	<b>6511</b>	<b>7103</b>	<b>7696</b>	<b>8288</b>	<b>8879</b>
<b>110 (43.3)</b>		<b>697</b>	<b>872</b>	<b>1047</b>	<b>1220</b>	<b>1395</b>	<b>1569</b>	<b>1744</b>	<b>1919</b>	<b>2092</b>	<b>2441</b>	<b>2791</b>	<b>3140</b>	<b>3488</b>	<b>3837</b>	<b>4185</b>	<b>4535</b>	<b>4884</b>	<b>5233</b>

BTU/hr with 65°F (18.3°C) entering air and 1 GPM flow rate

## TEMPO FREESTANDING TYPE 15

ORDER CODE: **TEMP.** **020** **040** **15.** **101** **/00**

mean T °F (°C)	L H	code height length type color conn.																	
		15.5" (040)	19.5" (050)	23.5" (060)	27.5" (070)	31.5" (080)	35.5" (090)	39.5" (100)	43.5" (110)	47" (120)	55" (140)	63" (160)	71" (180)	78.5" (200)	86.5" (220)	94.5" (240)	102.5" (260)	110" (280)	118" (300)
170 (76.7)	<b>8"</b>	1847	2308	2770	3232	3694	4156	4617	5079	5541	6465	7388	8312	9235	10159	11082	12006	12930	13853
160 (71.1)	(020)	1604	2005	2406	2807	3208	3609	4010	4411	4813	5615	6417	7219	8021	8823	9626	10428	11230	12032
<b>130 (54.4)</b>		<b>940</b>	<b>1175</b>	<b>1410</b>	<b>1645</b>	<b>1880</b>	<b>2115</b>	<b>2350</b>	<b>2585</b>	<b>2820</b>	<b>3290</b>	<b>3761</b>	<b>4231</b>	<b>4701</b>	<b>5171</b>	<b>5641</b>	<b>6111</b>	<b>6581</b>	<b>7051</b>
<b>110 (43.3)</b>		<b>560</b>	<b>700</b>	<b>840</b>	<b>980</b>	<b>1120</b>	<b>1260</b>	<b>1400</b>	<b>1540</b>	<b>1680</b>	<b>1960</b>	<b>2241</b>	<b>2521</b>	<b>2801</b>	<b>3081</b>	<b>3361</b>	<b>3641</b>	<b>3921</b>	<b>4201</b>
170 (76.7)	<b>12"</b>	2300	2875	3446	4021	4596	5171	5746	6321	6897	8047	9193	10343	11493	12643	13794	14940	16090	17240
160 (71.1)	(030)	2000	2500	2997	3497	3997	4497	4997	5497	5997	6997	7994	8994	9995	10995	11995	12992	13992	14992
<b>130 (54.4)</b>		<b>1177</b>	<b>1472</b>	<b>1764</b>	<b>2058</b>	<b>2353</b>	<b>2647</b>	<b>2942</b>	<b>3236</b>	<b>3531</b>	<b>4120</b>	<b>4706</b>	<b>5295</b>	<b>5884</b>	<b>6473</b>	<b>7062</b>	<b>7648</b>	<b>8237</b>	<b>8826</b>
<b>110 (43.3)</b>		<b>704</b>	<b>881</b>	<b>1056</b>	<b>1232</b>	<b>1408</b>	<b>1584</b>	<b>1760</b>	<b>1937</b>	<b>2113</b>	<b>2465</b>	<b>2816</b>	<b>3169</b>	<b>3521</b>	<b>3874</b>	<b>4226</b>	<b>4577</b>	<b>4930</b>	<b>5282</b>
170 (76.7)	<b>15.5"</b>	2646	3309	3972	4635	5293	5956	6619	7282	7945	9266	10591	11913	13238	14564	15885	17211	18532	19858
160 (71.1)	(040)	2304	2881	3458	4035	4608	5185	5762	6339	6916	8066	9220	10371	11525	12679	13829	14983	16133	17287
<b>130 (54.4)</b>		<b>1362</b>	<b>1703</b>	<b>2044</b>	<b>2385</b>	<b>2724</b>	<b>3065</b>	<b>3406</b>	<b>3748</b>	<b>4089</b>	<b>4769</b>	<b>5451</b>	<b>6131</b>	<b>6813</b>	<b>7496</b>	<b>8176</b>	<b>8858</b>	<b>9538</b>	<b>10220</b>
<b>110 (43.3)</b>		<b>818</b>	<b>1023</b>	<b>1228</b>	<b>1433</b>	<b>1637</b>	<b>1842</b>	<b>2047</b>	<b>2252</b>	<b>2457</b>	<b>2865</b>	<b>3275</b>	<b>3684</b>	<b>4094</b>	<b>4504</b>	<b>4913</b>	<b>5323</b>	<b>5731</b>	<b>6141</b>
170 (76.7)	<b>19.5"</b>	2924	3653	4382	5115	5844	6577	7306	8035	8768	10231	11689	13151	14613	16075	17537	18995	20457	21920
160 (71.1)	(050)	2548	3184	3819	4458	5094	5733	6368	7003	7643	8917	10188	11462	12737	14011	15286	16556	17831	19105
<b>130 (54.4)</b>		<b>1513</b>	<b>1891</b>	<b>2268</b>	<b>2648</b>	<b>3025</b>	<b>3404</b>	<b>3782</b>	<b>4159</b>	<b>4539</b>	<b>5296</b>	<b>6050</b> </							

## TEMPO FREESTANDING TYPE 16

code height length type color conn.  
ORDER CODE: TEMF. 030 040 16. 101 /00

mean T °F (°C)	L 15.5" 19.5" 23.5" 27.5" 31.5" 35.5" 39.5" 43.5" 47" 55" 63" 71" 78.5" 86.5" 94.5" 102.5" 110" 118"
H	(040) (050) (060) (070) (080) (090) (100) (110) (120) (140) (160) (180) (200) (220) (240) (260) (280) (300)
170 (76.7)	<b>12"</b> 2526 3158 3790 4421 5053 5685 6316 6948 7580 8843 10106 11370 12633 13896 15160 16423 17686 18950
160 (71.1)	(030) 2184 2730 3276 3822 4368 4914 5460 6006 6552 7644 8736 9828 10920 12012 13104 14196 15288 16380
<b>130 (54.4)</b>	<b>1256 1571 1885 2199 2513 2828 3142 3456 3770 4399 5027 5656 6284 6912 7541 8169 8798 9426</b>
<b>110 (43.3)</b>	<b>735 919 1103 1287 1471 1655 1839 2023 2207 2575 2943 3311 3679 4047 4414 4782 5150 5518</b>
170 (76.7)	<b>15.5"</b> 2904 3630 4356 5082 5808 6534 7260 7986 8712 10164 11616 13068 14520 15972 17424 18876 20328 21780
160 (71.1)	(040) 2509 3136 3763 4391 5018 5645 6273 6900 7527 8782 10037 11291 12546 13800 15055 16310 17564 18819
<b>130 (54.4)</b>	<b>1441 1802 2162 2523 2883 3244 3604 3965 4325 5046 5767 6488 7209 7930 8651 9372 10093 10813</b>
<b>110 (43.3)</b>	<b>842 1053 1264 1475 1685 1896 2107 2317 2528 2950 3371 3792 4214 4635 5057 5478 5900 6321</b>
170 (76.7)	<b>19.5"</b> 3243 4055 4867 5679 6486 7298 8110 8922 9734 11354 12978 14597 16221 17845 19464 21088 22708 24332
160 (71.1)	(050) 2801 3502 4203 4905 5602 6304 7005 7706 8407 9806 11209 12608 14010 15413 16811 18214 19613 21015
<b>130 (54.4)</b>	<b>1607 2009 2411 2814 3214 3616 4019 4421 4823 5626 6431 7233 8038 8843 9645 10450 11253 12057</b>
<b>110 (43.3)</b>	<b>938 1173 1407 1642 1876 2111 2346 2580 2815 3284 3753 4222 4692 5161 5630 6100 6568 7038</b>

BTU/hr with 65°F (18.3°C) entering air and 1 GPM flow rate

## TEMPO FREESTANDING TYPE 20

code height length type color conn.  
ORDER CODE: TEMF. 020 040 20. 101 /00

mean T °F (°C)	L 15.5" 19.5" 23.5" 27.5" 31.5" 35.5" 39.5" 43.5" 47" 55" 63" 71" 78.5" 86.5" 94.5" 102.5" 110" 118"
H	(040) (050) (060) (070) (080) (090) (100) (110) (120) (140) (160) (180) (200) (220) (240) (260) (280) (300)
170 (76.7)	<b>8"</b> 2597 3245 3893 4541 5194 5842 6490 7138 7786 9087 10383 11684 12980 14277 15577 16874 18174 19471
160 (71.1)	(020) 2255 2818 3381 3944 4511 5074 5637 6200 6763 7893 9019 10148 11274 12400 13530 14656 15786 16912
<b>130 (54.4)</b>	<b>1321 1651 1981 2311 2643 2973 3303 3633 3963 4625 5285 5947 6607 7267 7929 8589 9251 9911</b>
<b>110 (43.3)</b>	<b>787 984 1180 1377 1575 1772 1968 2165 2361 2756 3149 3544 3937 4330 4724 5118 5512 5905</b>
170 (76.7)	<b>12"</b> 3222 4029 4837 5641 6448 7252 8059 8867 9671 11282 12897 14508 16119 17731 19342 20957 22568 24179
160 (71.1)	(030) 2802 3504 4206 4905 5607 6306 7009 7711 8410 9811 11215 12616 14018 15419 16820 18224 19625 21027
<b>130 (54.4)</b>	<b>1649 2063 2476 2888 3301 3712 4126 4540 4951 5776 6603 7428 8252 9077 9902 10729 11554 12379</b>
<b>110 (43.3)</b>	<b>987 1234 1482 1728 1975 2222 2469 2717 2963 3457 3951 4445 4939 5433 5926 6421 6915 7409</b>
170 (76.7)	<b>15.5"</b> 3705 4634 5563 6487 7416 8340 9269 10197 11122 12975 14832 16685 18538 20391 22244 24101 25954 27807
160 (71.1)	(040) 3226 4035 4843 5648 6456 7261 8070 8878 9683 11296 12913 14527 16140 17753 19367 20984 22597 24210
<b>130 (54.4)</b>	<b>1908 2386 2864 3340 3818 4294 4772 5251 5727 6681 7637 8591 9545 10500 11454 12410 13364 14318</b>
<b>110 (43.3)</b>	<b>1147 1434 1722 2008 2295 2581 2869 3156 3442 4016 4591 5164 5738 6311 6885 7460 8034 8607</b>
170 (76.7)	<b>19.5"</b> 4087 5111 6131 7155 8174 9198 10218 11242 12262 14305 16349 18393 20436 22480 24524 26567 28611 30655
160 (71.1)	(050) 3562 4455 5343 6236 7125 8017 8906 9798 10687 12469 14250 16031 17812 19594 21375 23156 24938 26719
<b>130 (54.4)</b>	<b>2115 2645 3173 3703 4231 4761 5289 5819 6347 7405 8463 9521 10579 11637 12694 13752 14810 15868</b>
<b>110 (43.3)</b>	<b>1277 1596 1915 2235 2554 2874 3192 3512 3831 4469 5108 5746 6385 7023 7662 8300 8939 9577</b>

BTU/hr with 65°F (18.3°C) entering air and 1 GPM flow rate

## TEMPO FREESTANDING TYPE 21

code height length type color conn.  
ORDER CODE: TEMF. 030 040 21. 101 /00

mean T °F (°C)	L 15.5" 19.5" 23.5" 27.5" 31.5" 35.5" 39.5" 43.5" 47" 55" 63" 71" 78.5" 86.5" 94.5" 102.5" 110" 118"
H	(040) (050) (060) (070) (080) (090) (100) (110) (120) (140) (160) (180) (200) (220) (240) (260) (280) (300)
170 (76.7)	<b>12"</b> 3330 4164 4998 5832 6661 7495 8329 9163 9997 11660 13328 14991 16659 18326 19990 21657 23321 24988
160 (71.1)	(030) 2875 3595 4315 5035 5751 6471 7191 7911 8631 10067 11506 12943 14382 15822 17258 18698 20134 21574
<b>130 (54.4)</b>	<b>1647 2059 2472 2884 3294 3707 4119 4532 4944 5767 6592 7414 8239 9064 9887 10711 11534 12359</b>
<b>110 (43.3)</b>	<b>960 1200 1440 1681 1920 2160 2401 2641 2881 3361 3842 4321 4802 5283 5762 6243 6722 7203</b>
170 (76.7)	<b>15.5"</b> 3896 4868 5840 6816 7788 8765 9737 10708 11685 13633 15577 17525 19474 21422 23370 25314 27262 29211
160 (71.1)	(040) 3361 4199 5037 5880 6718 7560 8398 9237 10079 11760 13436 15117 16797 18478 20159 21835 23516 25196
<b>130 (54.4)</b>	<b>1918 2397 2876 3357 3835 4316 4795 5273 5754 6714 7671 8630 9590 10549 11509 12466 13425 14385</b>
<b>110 (43.3)</b>	<b>1114 1392 1670 1950 2228 2507 2785 3063 3343 3900 4456 5013 5571 6128 6686 7242 7799 8356</b>
170 (76.7)	<b>19.5"</b> 4428 5534 6640 7746 8857 9963 11069 12175 13281 15498 17710 19926 22138 24351 26567 28779 30996 33208
160 (71.1)	(050) 3817 4770 5723 6677 7634 8587 9540 10494 11447 13357 15264 17174 19081 20988 22898 24805 26715 28622
<b>130 (54.4)</b>	<b>2172 2715 3257 3800 4345 4887 5430 5973 6515 7603 8688 9775 10860 11946 13033 14118 15206 16291</b>
<b>110 (43.3)</b>	<b>1258 1572 1887 2201 2516 2831 3145 3459 3774 4403 5032 5662 6290 6919 7549 8177 8807 9436</b>

BTU/hr with 65°F (18.3°C) entering air and 1 GPM flow rate

WWW.JAGA-USA.COM  
WWW.JAGA-CANADA.COM

