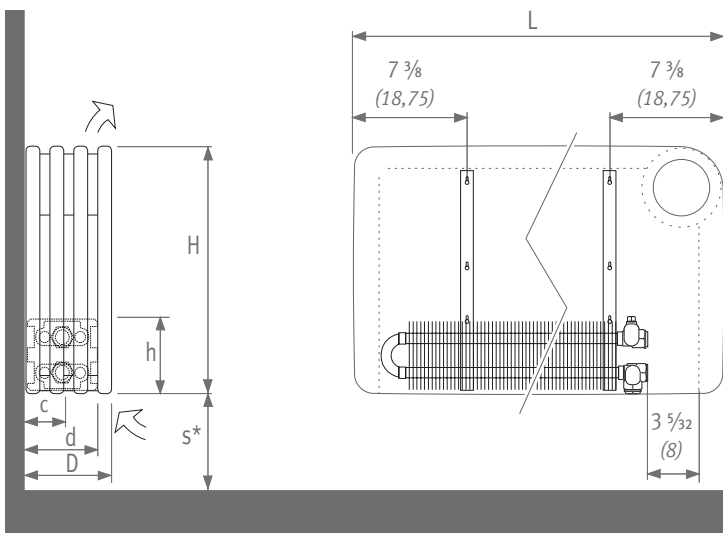




PLAY

Dimensions & heat output

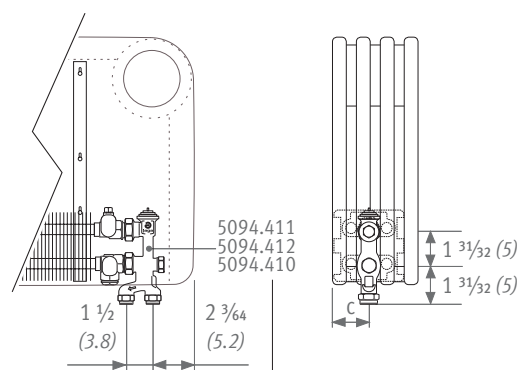
DIMENSIONS



CONNECTION SET

to wall or floor (option)

See brochure "Connection sets Low-H₂O"



* Smaller dimensions can decrease output.

| Type | d | h | D | c | s |
|------|-----------------|-----------------|----------------|------------------|-----------------|
| 10 | 3 15/16 (10) | 3 15/16 (10) | 5 1/8 (13) | 2 3/64 (5.2) | 3 15/16 (10) |
| 15 | 5 29/32 (15) | 3 15/16 (10) | 7 3/32 (18) | 3 1/32 (7.7) | 4 23/32 (12) |
| 20 | 7 7/8 (20) | 3 15/16 (10) | 9 1/16 (23) | 4 1/64 (10.2) | 5 29/32 (15) |

| Type | d | h | D | c | s |
|------|-----------------|---------------|----------------|------------------|-----------------|
| 11 | 3 15/16 (10) | 7 7/8 (20) | 5 1/8 (13) | 3 1/32 (7.7) | 3 15/16 (10) |
| 16 | 5 29/32 (15) | 7 7/8 (20) | 7 3/32 (18) | 3 1/32 (7.7) | 4 23/32 (12) |
| 21 | 7 7/8 (20) | 7 7/8 (20) | 9 1/16 (23) | 4 1/64 (10.2) | 5 29/32 (15) |

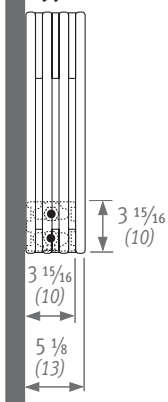


CONNECTION

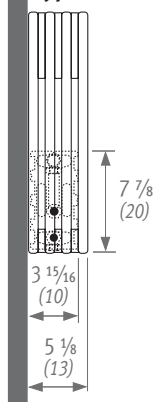
Side panels are closed.

Apply order code /L or /R for left or right hand connection.

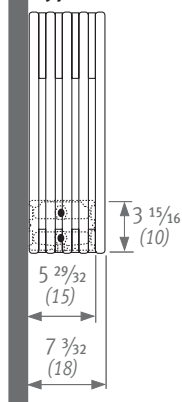
Type 10



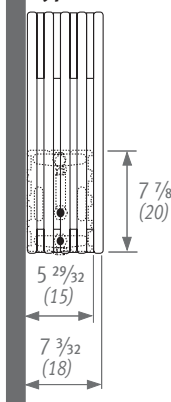
Type 11



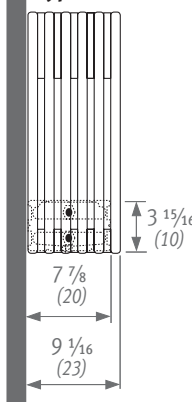
Type 15



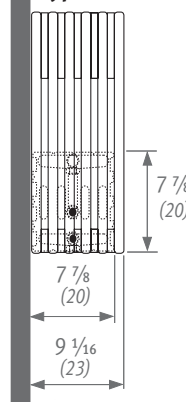
Type 16



Type 20



Type 21



Note: dimensions in "()" are shown in centimeters.

The information in this technical brochure is correct at the time of printing. Jaga reserves the right to change product specification at any time in line with our policy of continuous improvement and innovation.



The dimensions shown in the tables have been rounded off to 0.5".
 Dimensions in cm are exact. (1 cm = 0.394")

PLAY TYPE 10

| mean T °F (°C) | H | L 23.5" (060) | 31.5" (080) | 39.5" (100) | 47" (120) |
|-------------------|--------------|------------------|----------------|----------------|--------------|
| 170 (76.7) | 14" | 2231 | 2973 | 3715 | 4458 |
| 160 (71.1) | (035) | 1943 | 2590 | 3236 | 3883 |
| 130 (54.4) | | 1151 | 1534 | 1917 | 2301 |
| 110 (43.3) | | 693 | 924 | 1155 | 1385 |
| 170 (76.7) | 19.5" | 2499 | 3332 | 4165 | 4998 |
| 160 (71.1) | (050) | 2173 | 2897 | 3622 | 4346 |
| 130 (54.4) | | 1279 | 1706 | 2132 | 2559 |
| 110 (43.3) | | 765 | 1021 | 1276 | 1531 |
| 170 (76.7) | 23.5" | 2768 | 3688 | 4612 | 5537 |
| 160 (71.1) | (065) | 2403 | 3202 | 4004 | 4807 |
| 130 (54.4) | | 1405 | 1873 | 2342 | 2811 |
| 110 (43.3) | | 836 | 1114 | 1393 | 1672 |

BTU/hr with 65°F (18.3°C) entering air and 1 GPM flow rate

PLAY TYPE 11

| mean T °F (°C) | H | L 23.5" (060) | 31.5" (080) | 39.5" (100) | 47" (120) |
|-------------------|--------------|------------------|----------------|----------------|--------------|
| 170 (76.7) | 14" | 2482 | 3308 | 4134 | 4960 |
| 160 (71.1) | (035) | 2149 | 2864 | 3579 | 4294 |
| 130 (54.4) | | 1243 | 1657 | 2071 | 2485 |
| 110 (43.3) | | 732 | 975 | 1219 | 1463 |
| 170 (76.7) | 19.5" | 2920 | 3892 | 4864 | 5836 |
| 160 (71.1) | (050) | 2526 | 3367 | 4207 | 5048 |
| 130 (54.4) | | 1457 | 1942 | 2428 | 2913 |
| 110 (43.3) | | 855 | 1140 | 1425 | 1709 |
| 170 (76.7) | 23.5" | 3321 | 4427 | 5533 | 6638 |
| 160 (71.1) | (065) | 2870 | 3826 | 4781 | 5737 |
| 130 (54.4) | | 1650 | 2200 | 2749 | 3299 |
| 110 (43.3) | | 965 | 1287 | 1608 | 1930 |

BTU/hr with 65°F (18.3°C) entering air and 1 GPM flow rate

PLAY TYPE 15

| mean T °F (°C) | H | L 23.5" (060) | 31.5" (080) | 39.5" (100) | 47" (120) |
|-------------------|--------------|------------------|----------------|----------------|--------------|
| 170 (76.7) | 14" | 3390 | 4523 | 5652 | 6781 |
| 160 (71.1) | (035) | 2956 | 3943 | 4928 | 5912 |
| 130 (54.4) | | 1757 | 2344 | 2930 | 3515 |
| 110 (43.3) | | 1062 | 1416 | 1770 | 2124 |
| 170 (76.7) | 19.5" | 3904 | 5208 | 6508 | 7808 |
| 160 (71.1) | (050) | 3399 | 4534 | 5666 | 6798 |
| 130 (54.4) | | 2010 | 2682 | 3351 | 4020 |
| 110 (43.3) | | 1208 | 1612 | 2014 | 2417 |
| 170 (76.7) | 23.5" | 4399 | 5862 | 7330 | 8798 |
| 160 (71.1) | (065) | 3824 | 5097 | 6373 | 7649 |
| 130 (54.4) | | 2250 | 2998 | 3749 | 4500 |
| 110 (43.3) | | 1345 | 1793 | 2242 | 2691 |

BTU/hr with 65°F (18.3°C) entering air and 1 GPM flow rate

PLAY TYPE 16

| mean T °F (°C) | H | L 23.5" (060) | 31.5" (080) | 39.5" (100) | 47" (120) |
|-------------------|--------------|------------------|----------------|----------------|--------------|
| 170 (76.7) | 14" | 3714 | 4953 | 6191 | 7429 |
| 160 (71.1) | (035) | 3210 | 4280 | 5350 | 6420 |
| 130 (54.4) | | 1845 | 2460 | 3075 | 3690 |
| 110 (43.3) | | 1079 | 1438 | 1798 | 2158 |
| 170 (76.7) | 19.5" | 4441 | 5919 | 7401 | 8883 |
| 160 (71.1) | (050) | 3837 | 5114 | 6394 | 7675 |
| 130 (54.4) | | 2205 | 2938 | 3674 | 4410 |
| 110 (43.3) | | 1289 | 1717 | 2148 | 2578 |
| 170 (76.7) | 23.5" | 5070 | 6758 | 8450 | 10141 |
| 160 (71.1) | (065) | 4380 | 5838 | 7299 | 8761 |
| 130 (54.4) | | 2515 | 3352 | 4191 | 5030 |
| 110 (43.3) | | 1469 | 1958 | 2448 | 2938 |

BTU/hr with 65°F (18.3°C) entering air and 1 GPM flow rate

PLAY TYPE 20

| mean T °F (°C) | H | L 23.5" (060) | 31.5" (080) | 39.5" (100) | 47" (120) |
|-------------------|--------------|------------------|----------------|----------------|--------------|
| 170 (76.7) | 14" | 4642 | 6190 | 7737 | 9285 |
| 160 (71.1) | (035) | 4051 | 5402 | 6753 | 8103 |
| 130 (54.4) | | 2418 | 3224 | 4030 | 4836 |
| 110 (43.3) | | 1466 | 1955 | 2444 | 2933 |
| 170 (76.7) | 19.5" | 5409 | 7212 | 9016 | 10819 |
| 160 (71.1) | (050) | 4715 | 6287 | 7859 | 9431 |
| 130 (54.4) | | 2801 | 3735 | 4669 | 5603 |
| 110 (43.3) | | 1691 | 2255 | 2819 | 3383 |
| 170 (76.7) | 23.5" | 6137 | 8180 | 10227 | 12274 |
| 160 (71.1) | (065) | 5343 | 7122 | 8904 | 10686 |
| 130 (54.4) | | 3160 | 4212 | 5266 | 6320 |
| 110 (43.3) | | 1899 | 2532 | 3165 | 3799 |

BTU/hr with 65°F (18.3°C) entering air and 1 GPM flow rate

PLAY TYPE 21

| mean T °F (°C) | H | L 23.5" (060) | 31.5" (080) | 39.5" (100) | 47" (120) |
|-------------------|--------------|------------------|----------------|----------------|--------------|
| 170 (76.7) | 14" | 5210 | 6944 | 8682 | 10420 |
| 160 (71.1) | (035) | 4494 | 5990 | 7489 | 8989 |
| 130 (54.4) | | 2567 | 3421 | 4277 | 5134 |
| 110 (43.3) | | 1491 | 1988 | 2486 | 2983 |
| 170 (76.7) | 19.5" | 6250 | 8333 | 10416 | 12500 |
| 160 (71.1) | (050) | 5394 | 7192 | 8990 | 10788 |
| 130 (54.4) | | 3086 | 4115 | 5144 | 6173 |
| 110 (43.3) | | 1797 | 2396 | 2995 | 3594 |
| 170 (76.7) | 23.5" | 7108 | 9481 | 11849 | 14217 |
| 160 (71.1) | (065) | 6138 | 8187 | 10232 | 12277 |
| 130 (54.4) | | 3519 | 4693 | 5866 | 7038 |
| 110 (43.3) | | 2052 | 2737 | 3421 | 4105 |

BTU/hr with 65°F (18.3°C) entering air and 1 GPM flow rate

