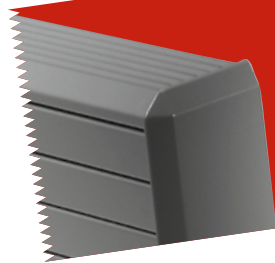




# jaga



## MAXI Dimensions & heat output

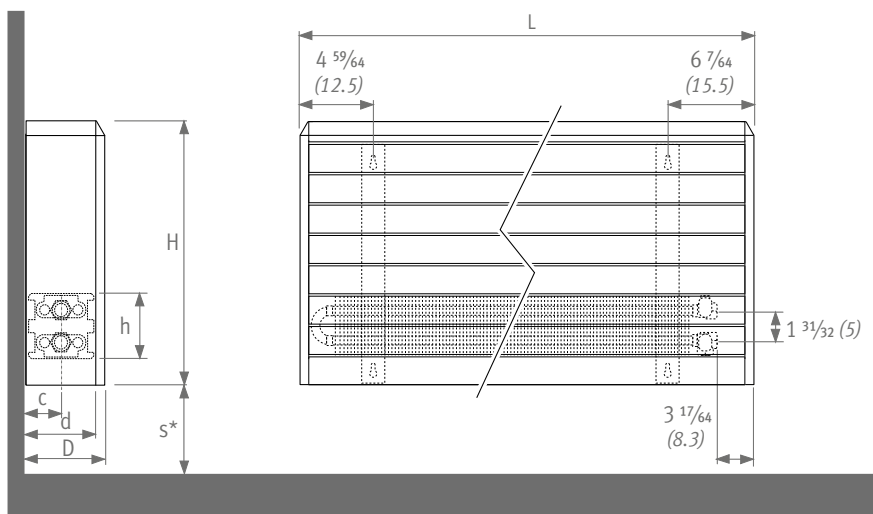
ALDI  
MEMBER

EN 442

LOW  
H<sub>2</sub>O

GUARANTEE  
30  
YEAR  
FIN TUBE ELEMENT

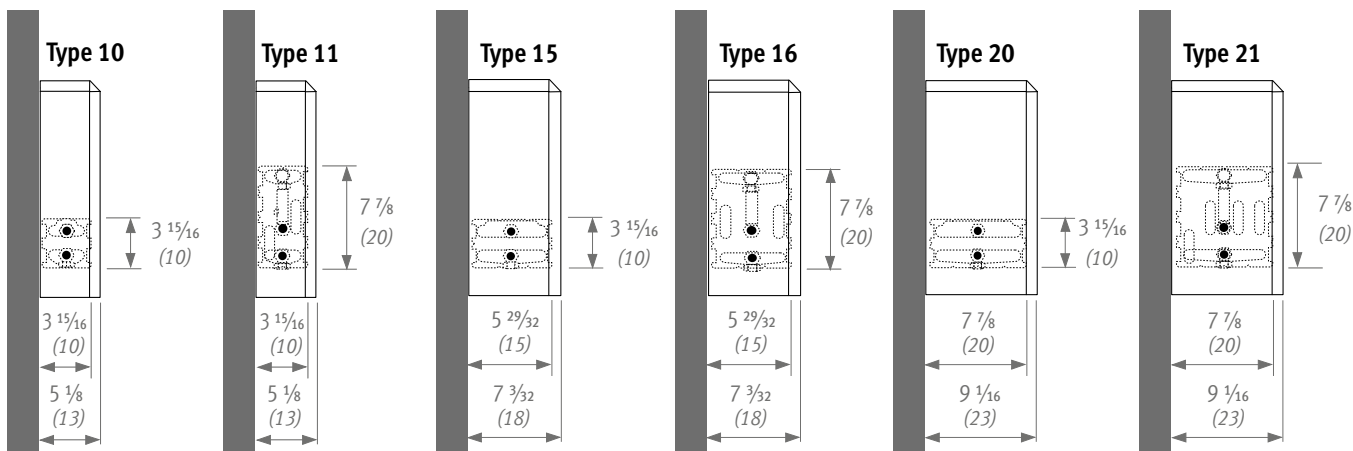
### DIMENSIONS



\* Smaller dimensions can decrease output.

Type	d	h	D	c	s
10	3 15/16 (10)	3 15/16 (10)	5 1/8 (13)	2 3/32 (5.3)	3 15/16 (10)
15	5 29/32 (15)	3 15/16 (10)	7 3/32 (18)	3 5/64 (7.8)	4 23/32 (12)
20	7 7/8 (20)	3 15/16 (10)	9 1/16 (23)	4 1/16 (10.3)	5 29/32 (15)

Type	d	h	D	c	s
11	3 15/16 (10)	7 7/8 (20)	5 1/8 (13)	2 3/32 (5.3)	3 15/16 (10)
16	5 29/32 (15)	7 7/8 (20)	7 3/32 (18)	3 5/64 (7.8)	4 23/32 (12)
21	7 7/8 (20)	7 7/8 (20)	9 1/16 (23)	4 1/16 (10.3)	5 29/32 (15)



Note: dimensions in “( )” are shown in centimeters.

The information in this technical brochure is correct at the time of printing. Jaga reserves the right to change product specification at any time in line with our policy of continuous improvement and innovation.

**!** The dimensions shown in the tables have been rounded off to 0.5".  
 Dimensions in cm are exact. (1 cm = 0.394")

### MAXI WT TYPE 10

mean T °F (°C)	H	L 25" (063)	32.5" (083)	40.5" (103)	48.5" (123)	56.5" (143)	64" (163)	72" (183)	80" (203)
170 (76.7)	<b>17.5"</b>	2691	3549	4402	5256	6114	6967	7821	8679
160 (71.1)	(044)	2341	3088	3830	4573	5319	6062	6804	7551
<b>130 (54.4)</b>		<b>1381</b>	<b>1821</b>	<b>2259</b>	<b>2697</b>	<b>3137</b>	<b>3575</b>	<b>4013</b>	<b>4454</b>
<b>110 (43.3)</b>		<b>828</b>	<b>1092</b>	<b>1354</b>	<b>1617</b>	<b>1881</b>	<b>2144</b>	<b>2406</b>	<b>2670</b>
170 (76.7)	<b>23"</b>	3086	4068	5047	6025	7007	7985	8968	9946
160 (71.1)	(059)	2689	3544	4397	5249	6105	6957	7813	8665
<b>130 (54.4)</b>		<b>1594</b>	<b>2102</b>	<b>2607</b>	<b>3112</b>	<b>3620</b>	<b>4125</b>	<b>4633</b>	<b>5138</b>
<b>110 (43.3)</b>		<b>961</b>	<b>1266</b>	<b>1571</b>	<b>1876</b>	<b>2182</b>	<b>2486</b>	<b>2792</b>	<b>3097</b>
170 (76.7)	<b>29"</b>	3386	4459	5536	6613	7686	8763	9836	10913
160 (71.1)	(074)	2954	3891	4830	5770	6706	7646	8582	9522
<b>130 (54.4)</b>		<b>1761</b>	<b>2319</b>	<b>2879</b>	<b>3440</b>	<b>3998</b>	<b>4558</b>	<b>5116</b>	<b>5676</b>
<b>110 (43.3)</b>		<b>1067</b>	<b>1405</b>	<b>1744</b>	<b>2084</b>	<b>2422</b>	<b>2761</b>	<b>3099</b>	<b>3438</b>

BTU/hr with 65°F (18.3°C) entering air and 1 GPM flow rate

### MAXI WT TYPE 11

mean T °F (°C)	H	L 25" (063)	32.5" (083)	40.5" (103)	48.5" (123)	56.5" (143)	64" (163)	72" (183)	80" (203)
170 (76.7)	<b>17.5"</b>	3524	4644	5763	6883	8002	9122	10242	11361
160 (71.1)	(044)	3051	4021	4990	5960	6929	7898	8868	9837
<b>130 (54.4)</b>		<b>1767</b>	<b>2329</b>	<b>2890</b>	<b>3452</b>	<b>4013</b>	<b>4575</b>	<b>5136</b>	<b>5698</b>
<b>110 (43.3)</b>		<b>1041</b>	<b>1372</b>	<b>1702</b>	<b>2033</b>	<b>2364</b>	<b>2695</b>	<b>3025</b>	<b>3356</b>
170 (76.7)	<b>23"</b>	3978	5238	6502	7766	9026	10289	11553	12813
160 (71.1)	(059)	3445	4536	5631	6726	7816	8911	10006	11097
<b>130 (54.4)</b>		<b>1997</b>	<b>2629</b>	<b>3264</b>	<b>3898</b>	<b>4531</b>	<b>5165</b>	<b>5800</b>	<b>6432</b>
<b>110 (43.3)</b>		<b>1177</b>	<b>1550</b>	<b>1924</b>	<b>2298</b>	<b>2671</b>	<b>3045</b>	<b>3419</b>	<b>3792</b>
170 (76.7)	<b>29"</b>	4361	5744	7126	8509	9892	11279	12662	14045
160 (71.1)	(074)	3777	4975	6172	7370	8568	9769	10967	12165
<b>130 (54.4)</b>		<b>2190</b>	<b>2884</b>	<b>3579</b>	<b>4274</b>	<b>4968</b>	<b>5665</b>	<b>6359</b>	<b>7054</b>
<b>110 (43.3)</b>		<b>1291</b>	<b>1701</b>	<b>2111</b>	<b>2520</b>	<b>2930</b>	<b>3341</b>	<b>3750</b>	<b>4160</b>

BTU/hr with 65°F (18.3°C) entering air and 1 GPM flow rate

### MAXI WT TYPE 15

mean T °F (°C)	H	L 25" (063)	32.5" (083)	40.5" (103)	48.5" (123)	56.5" (143)	64" (163)	72" (183)	80" (203)
170 (76.7)	<b>17.5"</b>	4361	5745	7128	8512	9896	11279	12667	14051
160 (71.1)	(044)	3799	5004	6209	7414	8619	9824	11033	12238
<b>130 (54.4)</b>		<b>2250</b>	<b>2964</b>	<b>3677</b>	<b>4391</b>	<b>5105</b>	<b>5819</b>	<b>6535</b>	<b>7249</b>
<b>110 (43.3)</b>		<b>1354</b>	<b>1784</b>	<b>2214</b>	<b>2643</b>	<b>3073</b>	<b>3503</b>	<b>3934</b>	<b>4364</b>
170 (76.7)	<b>23"</b>	4917	6482	8043	9603	11168	12729	14289	15850
160 (71.1)	(059)	4290	5656	7018	8379	9745	11107	12468	13830
<b>130 (54.4)</b>		<b>2559</b>	<b>3373</b>	<b>4185</b>	<b>4997</b>	<b>5812</b>	<b>6624</b>	<b>7436</b>	<b>8248</b>
<b>110 (43.3)</b>		<b>1550</b>	<b>2044</b>	<b>2536</b>	<b>3028</b>	<b>3522</b>	<b>4014</b>	<b>4506</b>	<b>4998</b>
170 (76.7)	<b>29"</b>	5311	6998	8684	10371	12058	13744	15431	17118
160 (71.1)	(074)	4642	6116	7591	9065	10539	12013	13488	14962
<b>130 (54.4)</b>		<b>2786</b>	<b>3671</b>	<b>4556</b>	<b>5441</b>	<b>6326</b>	<b>7211</b>	<b>8096</b>	<b>8981</b>
<b>110 (43.3)</b>		<b>1699</b>	<b>2239</b>	<b>2778</b>	<b>3318</b>	<b>3857</b>	<b>4397</b>	<b>4937</b>	<b>5476</b>

BTU/hr with 65°F (18.3°C) entering air and 1 GPM flow rate

### MAXI WT TYPE 16

mean T °F (°C)	H	L 25" (063)	32.5" (083)	40.5" (103)	48.5" (123)	56.5" (143)	64" (163)	72" (183)	80" (203)
170 (76.7)	<b>17.5"</b>	4788	6309	7830	9351	10872	12393	13913	15434
160 (71.1)	(044)	4137	5450	6764	8078	9392	10706	12019	13333
<b>130 (54.4)</b>		<b>2375</b>	<b>3129</b>	<b>3884</b>	<b>4638</b>	<b>5392</b>	<b>6147</b>	<b>6901</b>	<b>7655</b>
<b>110 (43.3)</b>		<b>1387</b>	<b>1828</b>	<b>2268</b>	<b>2709</b>	<b>3150</b>	<b>3590</b>	<b>4031</b>	<b>4472</b>
170 (76.7)	<b>23"</b>	5558	7324	9090	10856	12622	14384	16150	17916
160 (71.1)	(059)	4799	6323	7848	9373	10897	12418	13943	15468
<b>130 (54.4)</b>		<b>2749</b>	<b>3622</b>	<b>4496</b>	<b>5369</b>	<b>6243</b>	<b>7114</b>	<b>7987</b>	<b>8861</b>
<b>110 (43.3)</b>		<b>1602</b>	<b>2111</b>	<b>2620</b>	<b>3129</b>	<b>3638</b>	<b>4146</b>	<b>4655</b>	<b>5164</b>
170 (76.7)	<b>29"</b>	6274	8268	10258	12249	14243	16233	18228	20218
160 (71.1)	(074)	5413	7134	8851	10569	12289	14007	15727	17445
<b>130 (54.4)</b>		<b>3094</b>	<b>4077</b>	<b>5059</b>	<b>6040</b>	<b>7024</b>	<b>8006</b>	<b>8989</b>	<b>9971</b>
<b>110 (43.3)</b>		<b>1799</b>	<b>2371</b>	<b>2942</b>	<b>3513</b>	<b>4085</b>	<b>4656</b>	<b>5228</b>	<b>5798</b>

BTU/hr with 65°F (18.3°C) entering air and 1 GPM flow rate

### MAXI WT TYPE 20

mean T °F (°C)	H	L 25" (063)	32.5" (083)	40.5" (103)	48.5" (123)	56.5" (143)	64" (163)	72" (183)	80" (203)
170 (76.7)	<b>17.5"</b>	6099	8035	9972	11908	13844	15780	17717	19653
160 (71.1)	(044)	5312	6999	8685	10372	12058	13745	15431	17117
<b>130 (54.4)</b>		<b>3146</b>	<b>4145</b>	<b>5144</b>	<b>6143</b>	<b>7142</b>	<b>8141</b>	<b>9140</b>	<b>10139</b>
<b>110 (43.3)</b>		<b>1894</b>	<b>2495</b>	<b>3097</b>	<b>3698</b>	<b>4300</b>	<b>4901</b>	<b>5502</b>	<b>6104</b>
170 (76.7)	<b>23"</b>	6869	9052	11231	13410	15594	17773	19956	22135
160 (71.1)	(059)	5994	7899	9800	11701	13606	15508	17413	19314
<b>130 (54.4)</b>		<b>3574</b>	<b>4710</b>	<b>5844</b>	<b>6978</b>	<b>8114</b>	<b>9248</b>	<b>10385</b>	<b>11519</b>
<b>110 (43.3)</b>		<b>2166</b>	<b>2854</b>	<b>3542</b>	<b>4229</b>	<b>4917</b>	<b>5605</b>	<b>6293</b>	<b>6980</b>
170 (76.7)	<b>29"</b>	7409	9763	12116	14470	16824	19174	21527	23881
160 (71.1)	(074)	6476	8533	10590	12648	14705	16759	18816	20873
<b>130 (54.4)</b>		<b>3887</b>	<b>5122</b>	<b>6357</b>	<b>7592</b>	<b>8826</b>	<b>10059</b>	<b>11294</b>	<b>12529</b>
<b>110 (43.3)</b>		<b>2370</b>	<b>3123</b>	<b>3876</b>	<b>4629</b>	<b>5382</b>	<b>6134</b>	<b>6887</b>	<b>7640</b>

BTU/hr with 65°F (18.3°C) entering air and 1 GPM flow rate

### MAXI WT TYPE 21

mean T °F (°C)	H	L 25" (063)	32.5" (083)	40.5" (103)	48.5" (123)	56.5" (143)	64" (163)	72" (183)	80" (203)
170 (76.7)	<b>17.5"</b>	6468	8524	10576	12628	14685	16737	18793	20845
160 (71.1)	(044)	5578	7351	9120	10890	12663	14432	16205	17975
<b>130 (54.4)</b>		<b>3181</b>	<b>4192</b>	<b>5201</b>	<b>6210</b>	<b>7221</b>	<b>8230</b>	<b>9241</b>	<b>10250</b>
<b>110 (43.3)</b>		<b>1845</b>	<b>2432</b>	<b>3018</b>	<b>3603</b>	<b>4190</b>	<b>4776</b>	<b>5362</b>	<b>5948</b>
170 (76.7)	<b>23"</b>	7708	10154	12600	15047	17493	19939	22386	24832
160 (71.1)	(059)	6638	8745	10852	12959	15066	17173	19280	21387
<b>130 (54.4)</b>		<b>3768</b>	<b>4964</b>	<b>6160</b>	<b>7357</b>	<b>8553</b>	<b>9749</b>	<b>10945</b>	<b>12141</b>
<b>110 (43.3)</b>		<b>2177</b>	<b>2868</b>	<b>3559</b>	<b>4250</b>	<b>4941</b>	<b>5632</b>	<b>6323</b>	<b>7014</b>
170 (76.7)	<b>29"</b>	8923	11753	14586	17420	20250	23084	25918	28748
160 (71.1)	(074)	7675	10109	12547	14984	17418	19856	22294	24728
<b>130 (54.4)</b>		<b>4335</b>	<b>5710</b>	<b>7087</b>	<b>8464</b>	<b>9839</b>	<b>11216</b>	<b>12593</b>	<b>13968</b>
<b>110 (43.3)</b>		<b>2493</b>	<b>3283</b>	<b>4075</b>	<b>4867</b>	<b>5657</b>	<b>6449</b>	<b>7241</b>	<b>8031</b>

BTU/hr with 65°F (18.3°C) entering air and 1 GPM flow rate

